

SU - Sweep Ups

Light Gauge Galvanized Piping System – Hoods, Spigots and Caps



Specifications

Material: Galvanized steel

Surface: Z275

Plate thickness: 0.75 mm

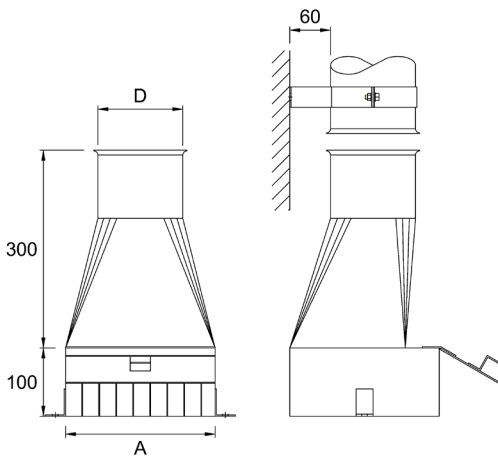
Description

Beading on the end allow for assembly with fitting rings. Alternatively, flanges can be used for assembly.

Used to collect sweep-up from the floor.

Has a gate, and grill that prevents larger elements from being sucked into the piping system.

Vertical piping, can be mounted to wall with a clip band.



D (mm)	A (mm)	Weight (kg)	Part no.
100	220	3.5	01440100
120	220	3.8	01440120
125	220	3.8	01440125
140	220	3.8	01440140
150	285	3.8	01440150
160	285	3.9	01440160
180	285	4.6	01440180
200	285	4.8	01440200